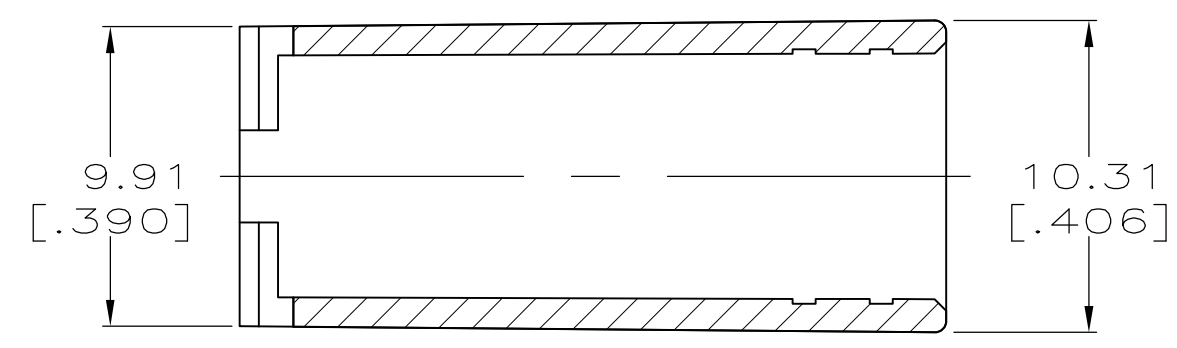


THIS DRAWING IS UNPUBLISHED. RELEASED FOR PUBLICATION
 © COPYRIGHT - By - ALL RIGHTS RESERVED.

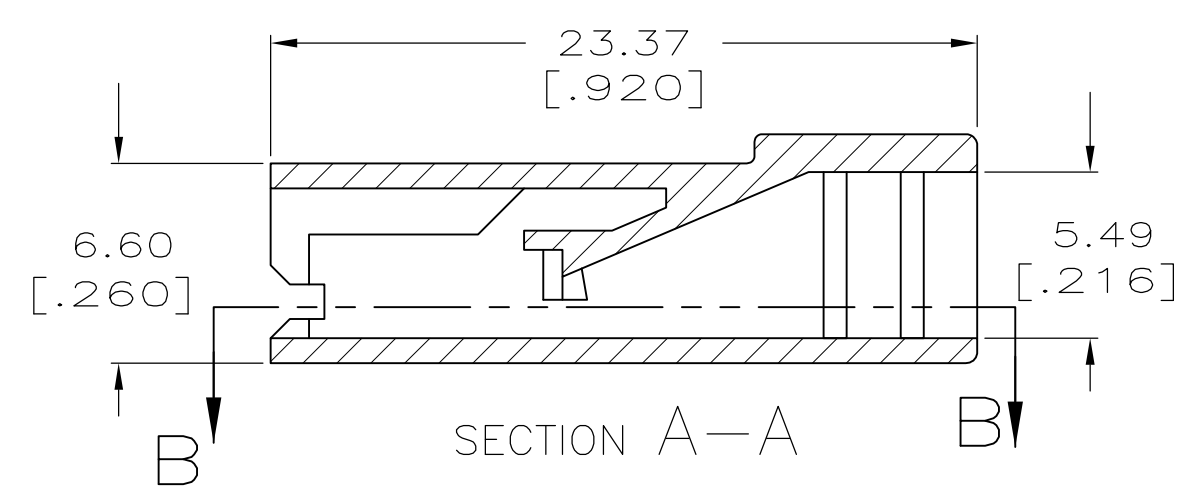
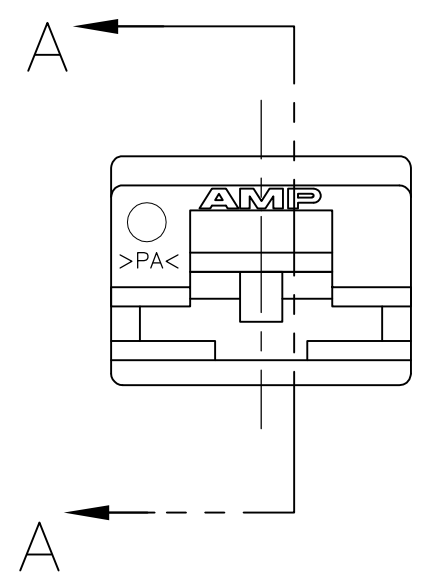
LOC	DIST	REVISIONS					
AF	50	P	LTR	DESCRIPTION	DATE	DWN	APVD
		AC6		REVISED PER ECO 13-003620	01MAR13	JR	PD



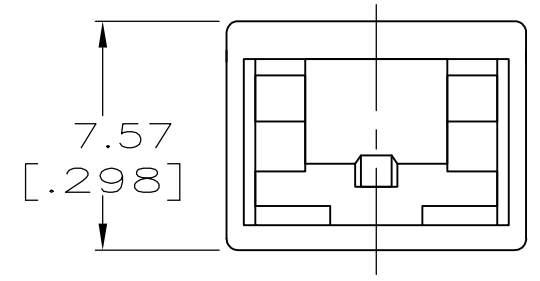
SECTION B-B

- 1 SPECIAL PACKAGING QUANTITIES.
- 2 POLYAMIDE ACCORDING TO IEC 60335-1, GLOW WIRE.
- 3 PRELIMINARY - NOT FOR PRODUCTION

5 CONTACT PRODUCT ENGINEERING FOR TERMINAL RECOMMENDATIONS WHEN USING THIS INSULATOR WITH 10 AWG WIRE



SECTION A-A



SUPERCEDED BY 1-480416-0
 OBSOLETE
 SUPERCEDED BY 1-480416-0

NATURAL	2 ⁶⁶ NYLON, UL94 V0	3	2-480416-3
NATURAL	2 UL94 V2		2-480416-2
NATURAL	6/6 NYLON	3 1	2-480416-1
NATURAL	UL94 5VA RATED	3	2-480416-0
NATURAL	4/6 NYLON UL 150		1-480416-8
NATURAL	66 NYLON, V0		1-480416-7
NATURAL	POLYESTER		1-480416-6
RED	6/6 NYLON		1-480416-4
BLUE			1-480416-3
BLACK			1-480416-1
NATURAL			1-480416-0
FINISH	MATERIAL		PART NO

THIS DRAWING IS A CONTROLLED DOCUMENT.		DWN	JR RUTH	2/4/91	STE TE Connectivity												
DIMENSIONS: INCHES		CHK	P FORTNEY	2/4/91													
TOLERANCES UNLESS OTHERWISE SPECIFIED:		APVD	C MEYERS	2/4/91													
<table border="0"> <tr><td>0 PLC</td><td>± -</td></tr> <tr><td>1 PLC</td><td>± -</td></tr> <tr><td>2 PLC</td><td>± 0.38 [.015]</td></tr> <tr><td>3 PLC</td><td>± -</td></tr> <tr><td>4 PLC</td><td>± -</td></tr> <tr><td>ANGLES</td><td>± -</td></tr> </table>		0 PLC	± -	1 PLC	± -	2 PLC	± 0.38 [.015]	3 PLC	± -	4 PLC	± -	ANGLES	± -	NAME		HOUSING, RECEPTACLE, FASTON, 6.35 [.250] SERIES	
0 PLC	± -																
1 PLC	± -																
2 PLC	± 0.38 [.015]																
3 PLC	± -																
4 PLC	± -																
ANGLES	± -																
MATERIAL SEE TABLE		FINISH SEE TABLE															
MATERIAL SEE TABLE		FINISH SEE TABLE		SIZE	A3												
MATERIAL SEE TABLE		FINISH SEE TABLE		CAGE CODE	00779												
MATERIAL SEE TABLE		FINISH SEE TABLE		DRAWING NO	C-480416												
MATERIAL SEE TABLE		FINISH SEE TABLE		RESTRICTED TO	-												
MATERIAL SEE TABLE		FINISH SEE TABLE		CUSTOMER DRAWING	SCALE 4:1												
MATERIAL SEE TABLE		FINISH SEE TABLE		SHEET	1 OF 1												
MATERIAL SEE TABLE		FINISH SEE TABLE		REV	AC6												